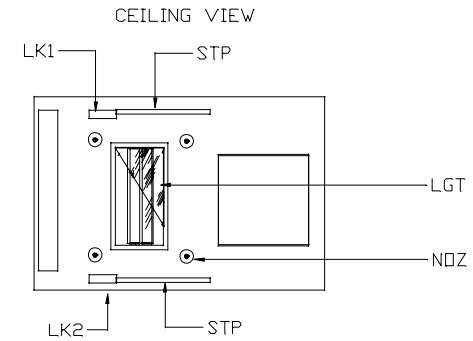
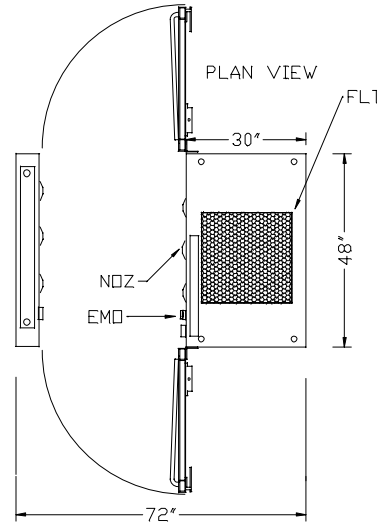
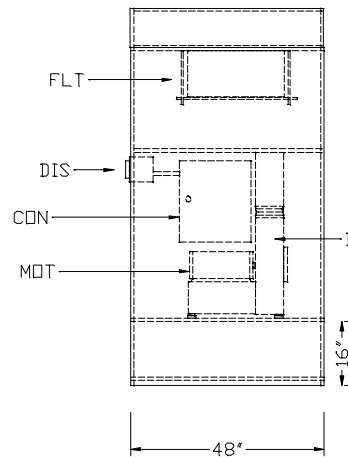


LEGEND

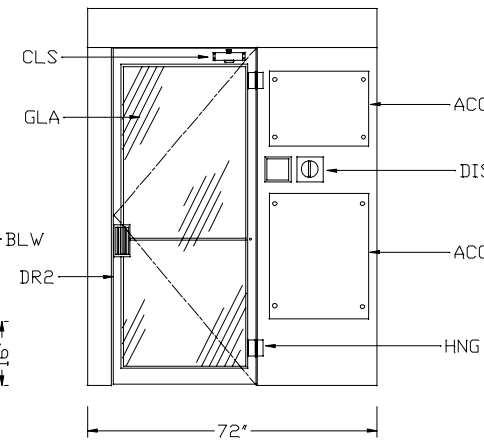
- ACC Access panel for filter.
- BLW Dayton paddle-wheel blower (1500CFM @ 6.2" SP).
- CLS Closer for manual doors.
- CDM Common wire in DC input circuit.
- CDN Control enclosure with major electrical components.
- DCT 8" wire-mold ducting.
- DIS 25 amp disconnect switch with lockout.
- DIF Diffused light panel.
- DR1 Paired aluminum-frame entry door 36" x 84" opening(clean side).
- DR2 Paired aluminum-frame exit door 36" x 84" opening(clean side).
- EMO Emergency-off switch with N.C. contact.
- FLT 24" X 24" X 12" HEPA filter (99.97% @ .3).
- FLX Flexible conduit for electrical power line.
- GLA 1/4" clear tempered glass for storefront-type doors.
- GRL 30" X 12" grille with white enamel finish.
- HNG Commercial ball-bearing door hinges.
- ISD Neoprene rubber isolators.
- JCT NEMA 1 Junction box
- LGT 2' double-tube flourescent fixture (.76A @ 120V).
- LK1 Lock for door 1 (.250A @ 24VDC).
- LK2 Lock for door 2 (.250A @ 24VDC).
- MEC Mechanical wall equipment housing.
- MDT 5HP 3-phase motor for main blower
- MSC Motor starter coil (60mA @ 120V).
- NDZ .875" adjustable nozzle jets (32 in walls, 4 in ceiling).
- PEN Penetration for lag bolts.
- PL1 Plenum for nozzle jets.
- PL2 Plenum for return air.
- PLC Programmable controller (20mA @ 120V).
- PDD 1/2" steel pod for lag bolts.
- PRE 30" X 12" X 1" 30% efficiency prefilter.
- RET Return air ductway.
- RS1 Reed switch for door 1.
- RS2 Reed switch for door 2.
- STP Aluminum doorstop with gasket seal.
- SUP Supply air ductway.
- SWP Drag sweep to seal door bottom.



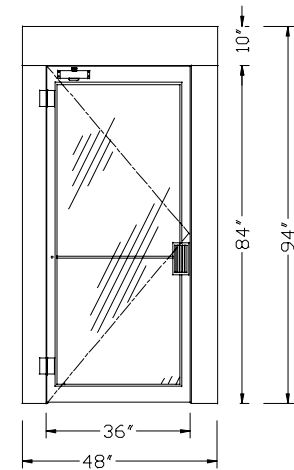
SIDE ELEVATION
CUTAWAY VIEW



EXIT ELEVATION



ENTRY ELEVATION



NOTES:

1. THE AIR SHOWER IS CONSTRUCTED OF ONE OF THE FOLLOWING;
 - A. WOOD CORE WITH A WHITE PLASTIC LAMINATE FINISH
 - B. WOOD CORE WITH WHITE PAINTED ALUMINUM SKINS
 - C. ALL ALUMINUM HONEYCOMB CONSTRUCTION STOPPED INTO A EXTRUDED ALUMINU FRAME
 - D. PAINTED STEEL
 - E. STAINLESS STEEL
2. THE POWER PANEL IS PRE-WIRED AT THE FACTORY AND IS TESTED.
3. THE AIR SHOWER IS NOT SUPPLIED WITH A FLOOR. THE UNIT SITS ON THE EXISTING FLOOR
4. THE AIR SHOWER SHIPS KNOCK DOWN.

CONTRACT NO.		COMPANY	
DRAWN BY	HSD	ASPT Inc.	
CHECKED BY		TITLE	
DESIGNED BY		LP7248 AIR SHOWER	
DESIGN ACTIVITY		SIZE	DWG NO. / FILE NAME
CUSTOMER			AS5X05-3
		SCALE	DATE
		1" = 2'-0"	
			SHEET
			1 of 1