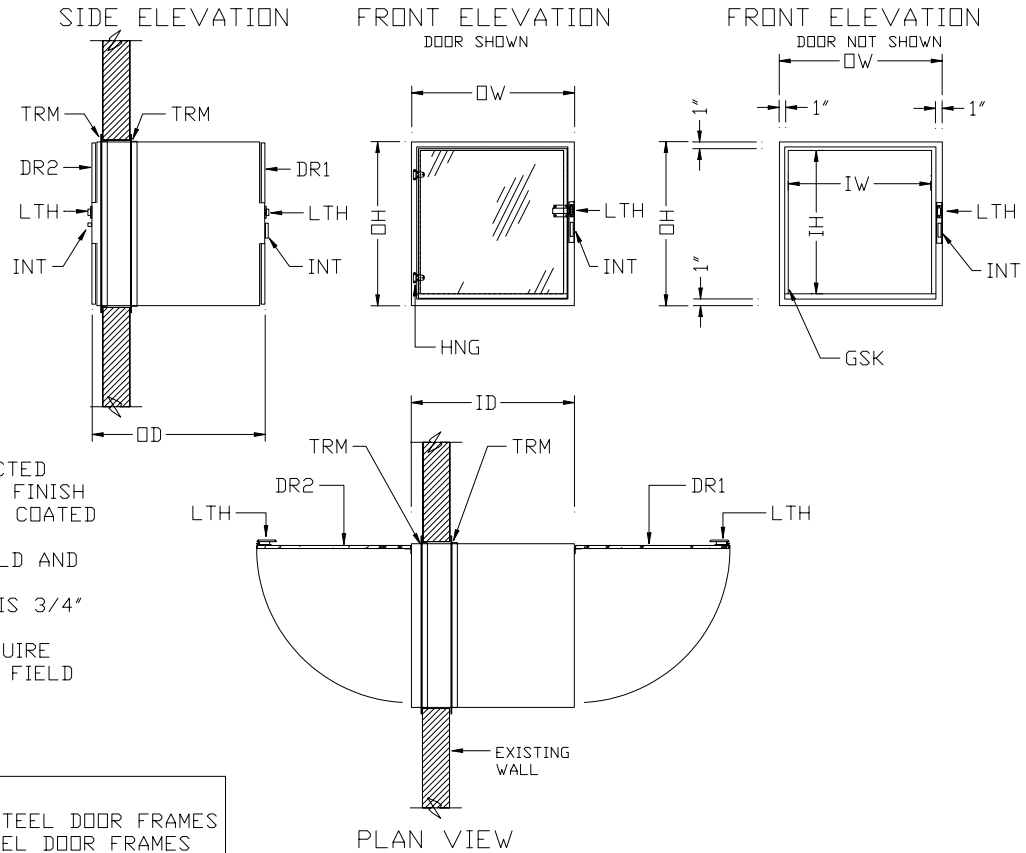


LEGEND

DR1=CLEAR ACRYLIC OR PVC DOOR
 DR2=CLEAR ACRYLIC OR PVC DOOR
 GSK=PEMKO #SW88 GASKET SEAL
 HNG=STAINLESS STEEL HINGE
 INT=ALUMINUM INTERLOCK LEVER
 LTH=CHROME PLATED SPRING LOADED LATCH
 TRM=1" x 1" TRIM ANGLE

NOTES:

1. TRIM FOR WOOD/PLASTIC AND PAINTED STEEL PASS THRUS ARE CLEAR ANODIZED OR WHITE PAINTED ALUMINUM.
2. TRIM FOR STAINLESS STEEL PASS THRUS ARE CONSTRUCTED OF 16 GAUGE STAINLESS STEEL WITH A #4 BRUSHED FINISH.
3. STAINLESS STEEL PASS THRUS ARE CONSTRUCTED OF #304 STAINLESS STEEL WITH A #4 BRUSHED FINISH
4. PAINTED PASS THRUS HAVE A WHITE POWDER COATED FINISH.
5. ALL EXTERIOR SEAMS HAVE A CONTINUOUS WELD AND ARE GROUND SMOOTH TO MATCH EXISTING FINISH
6. THE WALL CUT OUT SIZE FOR A PASS THRU IS 3/4" LARGER THAN THE OW AND OH DIMENSION.
7. PASS THRU WITH ELECTRIC INTERLOCKS REQUIRE A NEMA 1 ENCLOSURE ON TOP OF THE UNIT FOR FIELD CONNECTION OF THE POWER SUPPLY.



- OPTIONS REQUIRED (CHECK ALL THAT APPLY)**
- | | |
|--|--|
| <input type="checkbox"/> ELECTRIC INTERLOCKS | <input type="checkbox"/> STAINLESS STEEL DOOR FRAMES |
| <input type="checkbox"/> FAN FILTER UNIT | <input type="checkbox"/> PAINTED STEEL DOOR FRAMES |
| <input type="checkbox"/> FIXED SHELF | <input type="checkbox"/> AUTOMATIC DOORS |
| <input type="checkbox"/> ADJUSTABLE SHELF | <input type="checkbox"/> DRIP PAN |
| <input type="checkbox"/> ADDITIONAL SHELVES | <input type="checkbox"/> CONVEYOR ROLLERS |
| <input type="checkbox"/> AMBER TINTED DOORS | |

- NOTES (CHECK ALL THAT APPLY)**
- | | |
|--|--------------------------------------|
| <input type="checkbox"/> CONSTRUCTION MATERIALS: | <input type="checkbox"/> OTHER _____ |
| <input type="checkbox"/> WOOD/PLASTIC | _____ |
| <input type="checkbox"/> WOOD/PAINTED ALUMINUM | _____ |
| <input type="checkbox"/> ALUMINUM HONEYCOMB | _____ |
| <input type="checkbox"/> PAINTED STEEL | _____ |
| <input type="checkbox"/> STAINLESS STEEL | _____ |

PASS THRU DIMENSIONS

OW	OH	OD	IW	IH	ID
		=OD-3"		=OH-3"	=OD-2.0"

WALL CUTOUT FOR PASS THRU IS 3/4" LARGER IN WIDTH & HEIGHT

CONTRACT NO.	DATE	COMPANY		
DRAWN BY HSD		ASPT Inc.		
CHECKED BY		TITLE		
DESIGNED BY		STD PASS THRU		
DESIGN ACTIVITY		SIZE	FSCM NO.	DWG NO. / FILE NAME
CUSTOMER		A		
		SCALE	DATE	SHEET 1 of 1