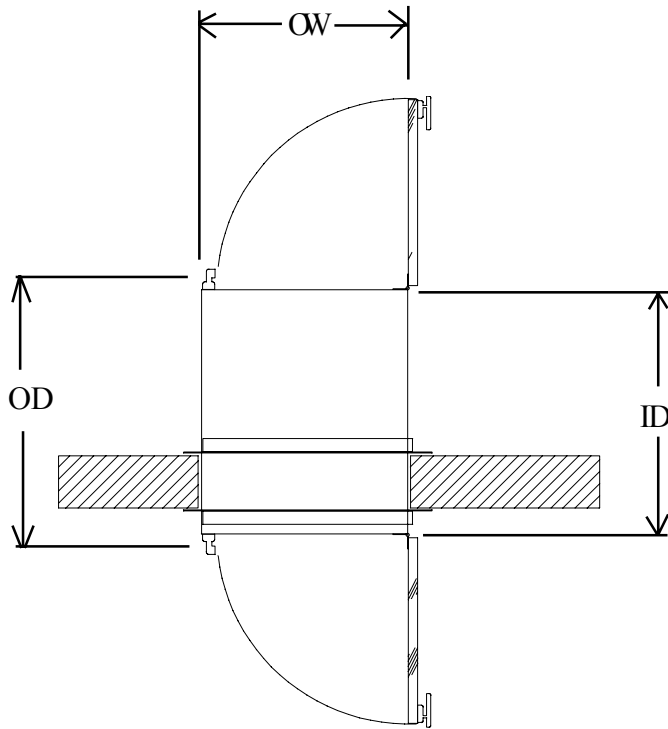
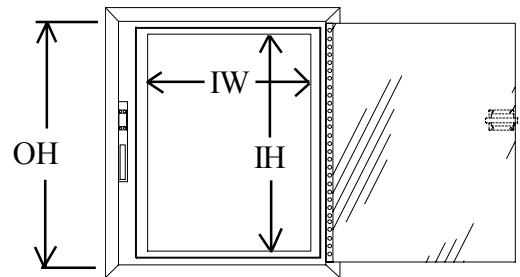


# STD PASS THRU BOX



PLAN VIEW



FRONT ELEVATION

Size	(OW)	(OH)	(OD)	(IW)	(IH)	(ID)	See Note
STD121212	12"	12"	12"	9"	10"	11"	1
STD181818	18"	18"	18"	15"	16"	17"	1
STD242418	24"	24"	18"	21"	22"	17"	2
STD242424	24"	24"	24"	21"	22"	23"	2
STD302418	30"	24"	18"	27"	22"	17"	3
STD302424	30"	24"	24"	27"	22"	22"	3
STD303024	30"	30"	24"	27"	28"	22"	3
STD303030	30"	30"	30"	27"	28"	28"	3
STD363024	36"	30"	24"	33"	28"	22.5"	3
STD363024	36"	30"	24"	33"	28"	22.5"	3
STD363624	36"	36"	24"	33"	34"	22.5"	3
STD363630	36"	36"	30"	33"	34"	28.5"	3
STD363636	36"	36"	36"	33"	34"	34.5"	3
STD423624	42"	36"	24"	39"	34"	22"	4
STD423630	42"	36"	30"	39"	34"	28"	4
STD423636	42"	36"	36"	39"	34"	34"	4
Custom Size	X	Y	Z	X-3"	Y-2"	Z-1.5"	

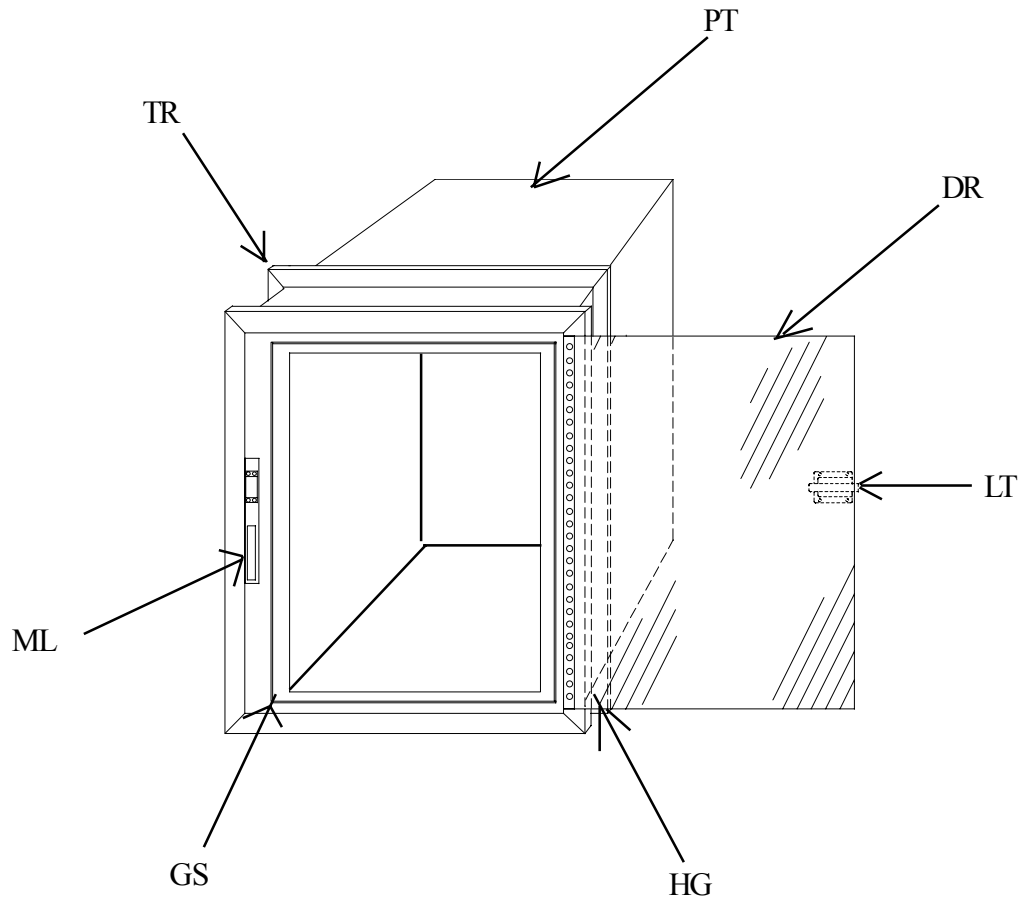
Notes:

1=1/4" Thick doors

2=3/8" Thick doors

3=1/2" Thick doors

4=1/2" Thick doors with metal or wood/plastic frames



## LEGEND

- ML = MECHANICAL DOOR INTERLOCK (POLISHED ALUMINUM TURNBUCKEL)
- GS = PEMKO #SW88 DOOR SEAL (WHITE)
- HG = STAINLESS STEEL CONTINUOUS DOOR HINGE (HELD TO DOOR WITH BINDER POSTS)
- LT = DOOR LATCH (SPRING LOADED - CHROME PLATED)
- TR = PASS THRU TRIM (CLEAR ANODIZED ALUMINUM - 2 SETS PROVIDED)
- DR = ACRYLIC DOOR (CLEAR OR AMBER WITH POLISHED EDGES)
- PT = PASS THRU BODY (WOOD CORE WITH A WHITE PLASTIC LAMINATE FINISH)

## OPTIONS

- PAINTED ALUMINUM SKINS OVER WOOD CORE
- DOUBLE WALL 16 GAUGE PAINTED STEEL CONSTRUCTION (NO WOOD PRODUCTS)
- DOUBLE WALL 16 GAUGE STAINLESS STEEL CONSTRUCTION (NO WOOD PRODUCTS)
- ELECTRIC INTERLOCKS
- FAN FILTER UNITS WITH RECYCLED AIR OR DISCHARGE AIR
- SHELVING (FIXED AND ADJUSTABLE)
- FIRE RATED DOOR AND FRAME (LABELED BY WARNOCK HERSHEY)\*
- CUSTOM COLORS
- UV FILTERED DOORS

\*ONLY ELECTRIC INTERLOCKS ARE AVAILABLE ON PASS THRUS WITH FIRE RATED DOOR ASSEMBLY